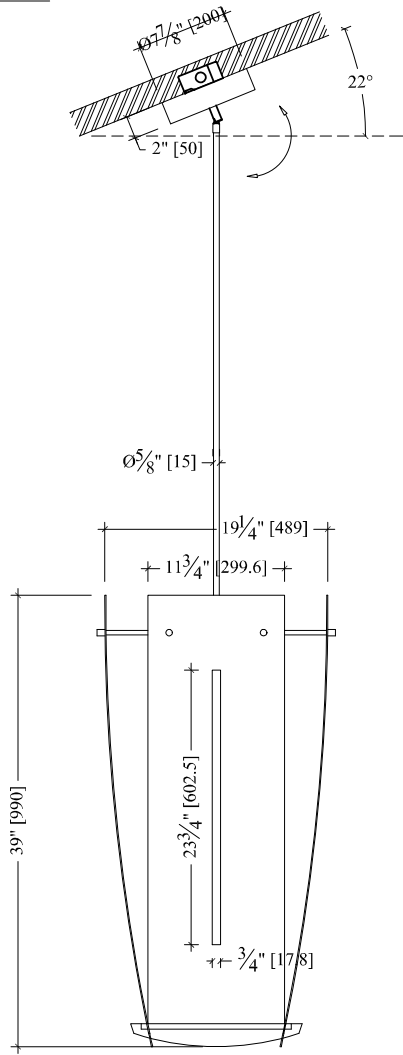
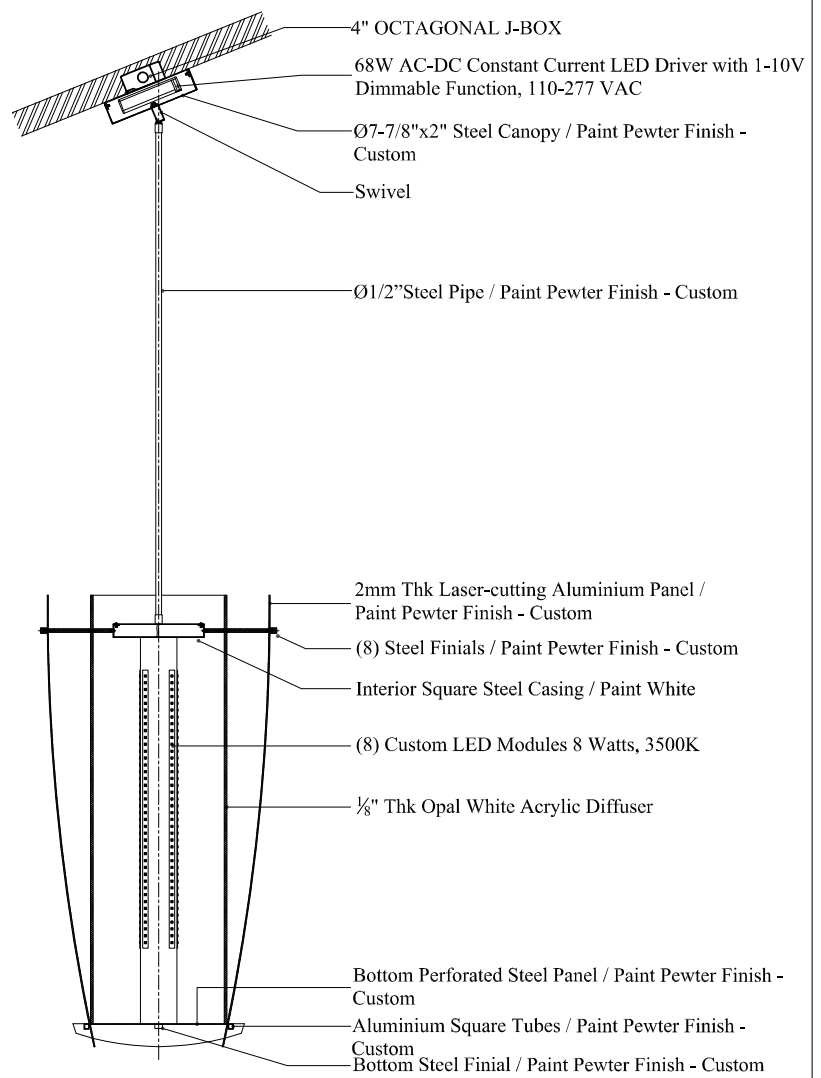


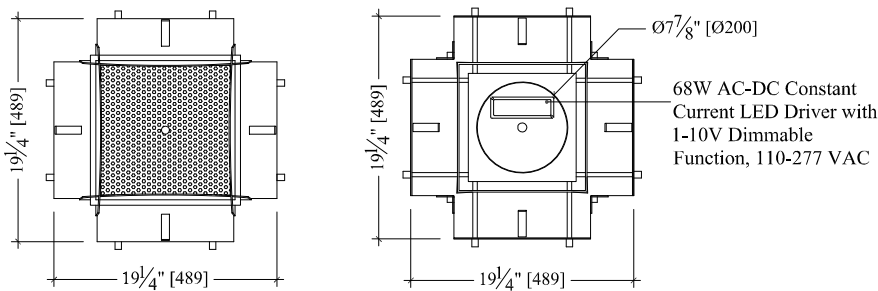
01 Front Elevation



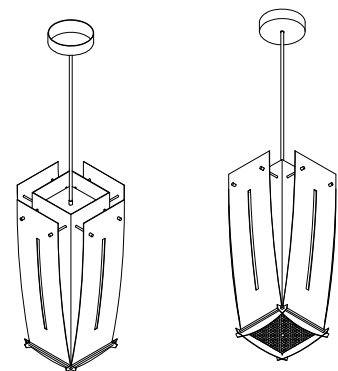
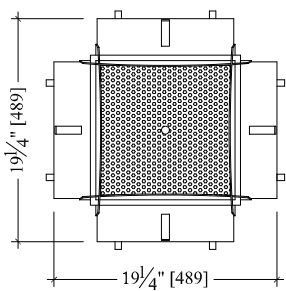
04 Front Elevation



03 Top View

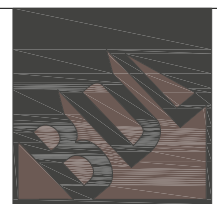


02 Bottom View

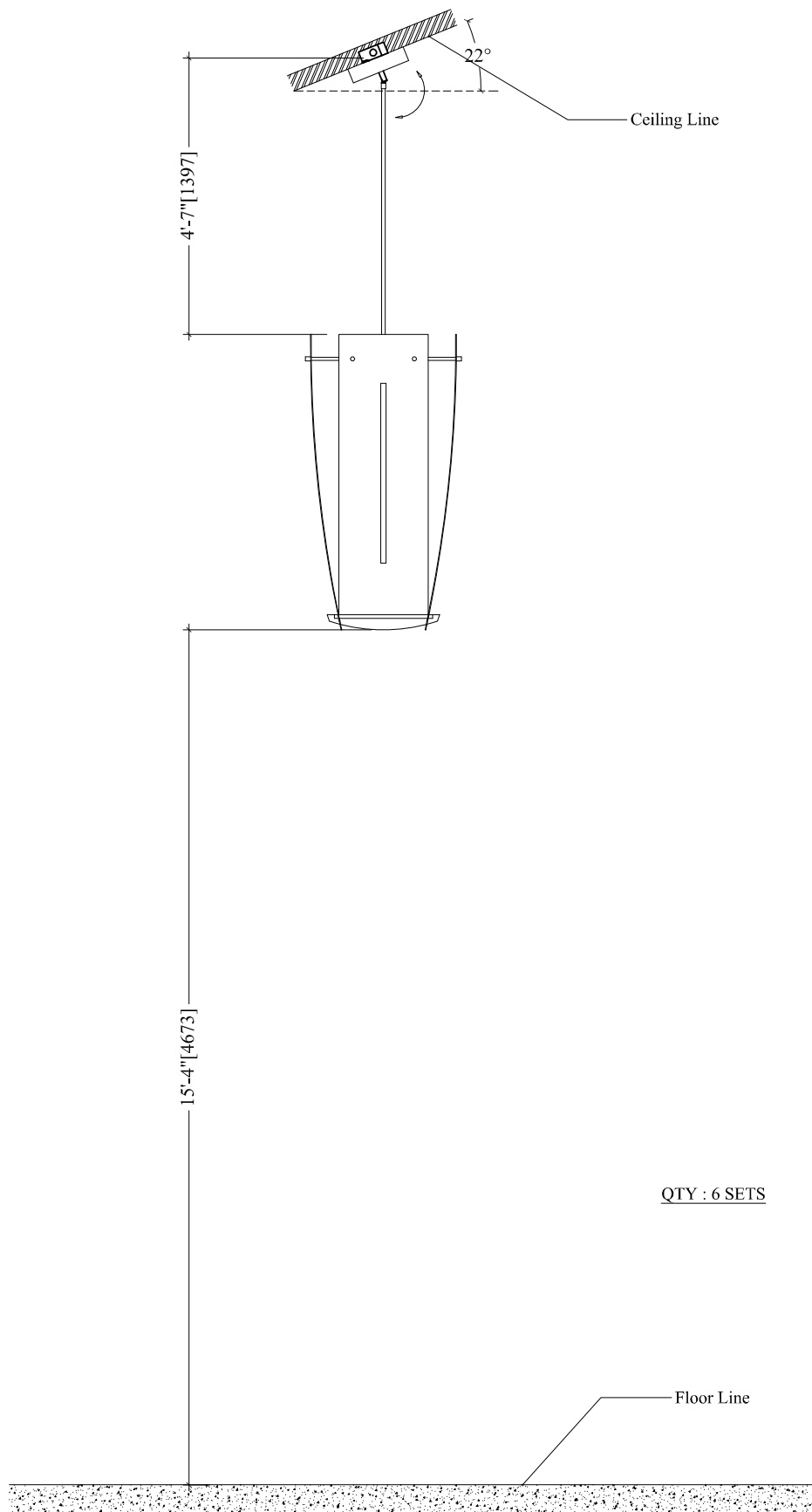


05 Axis view

OAD	19-1/4" W x 39" H	PROJECT:	Christ Church, Vero Beach, FL	DRAWING NUMBER:	BDL-DC-1925(TYPE M-2)	DATE:	2016.06.06	DWG BY:	G
WEIGHT	30Lbs	ITEM:	Pendant	FINISHES		REV.	DATE	CHKD BY:	
MOUNTING	N/A	ALL MATERIALS, COMPONENTS AND WORKMANSHIP SHOULD BE IN ACCORDANCE WITH UL, ETL, N.E.C. AND LOCAL BUILDING AND LIFE SAFETY CODE AGENCIES STANDARDS		FITTING	Paint Pewter - Custom	A	2016.09.05	SCALE	NTS
VOLTAGE	120V			SHADE	Opal White Acrylic	B	2016.10.27	UNITS	in
WATTAGE	8x8W LED			DIFFUSR	-	C	-	SIZE	LETTER
BALLAST TYPE 1	n/a			ACCENT	-	D	-	SHEET	1 OF 1
BALLAST TYPE 2	n/a			ACCENT	-	E	-	TOLERANCE	
BULB TYPE 1	LED base			ACCENT	-	F	-	LINEAR	±0.03937%
BULB TYPE 2	n/a							ANGULAR	±0.5°
BULB TYPE 3	n/a								



BETTER DESIGNED LIGHTING



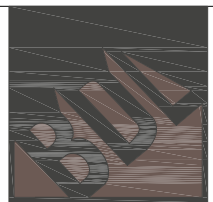
QTY : 6 SETS

OAD	16-1/4" W x 39" H
WEIGHT	30Lbs
MOUNTING	N/A
VOLTAGE	120V
WATTAGE	8x8W LED
BALLAST TYPE 1	n/a
BALLAST TYPE 2	n/a
BULB TYPE 1	LED base
BULB TYPE 2	n/a
BULB TYPE 3	n/a

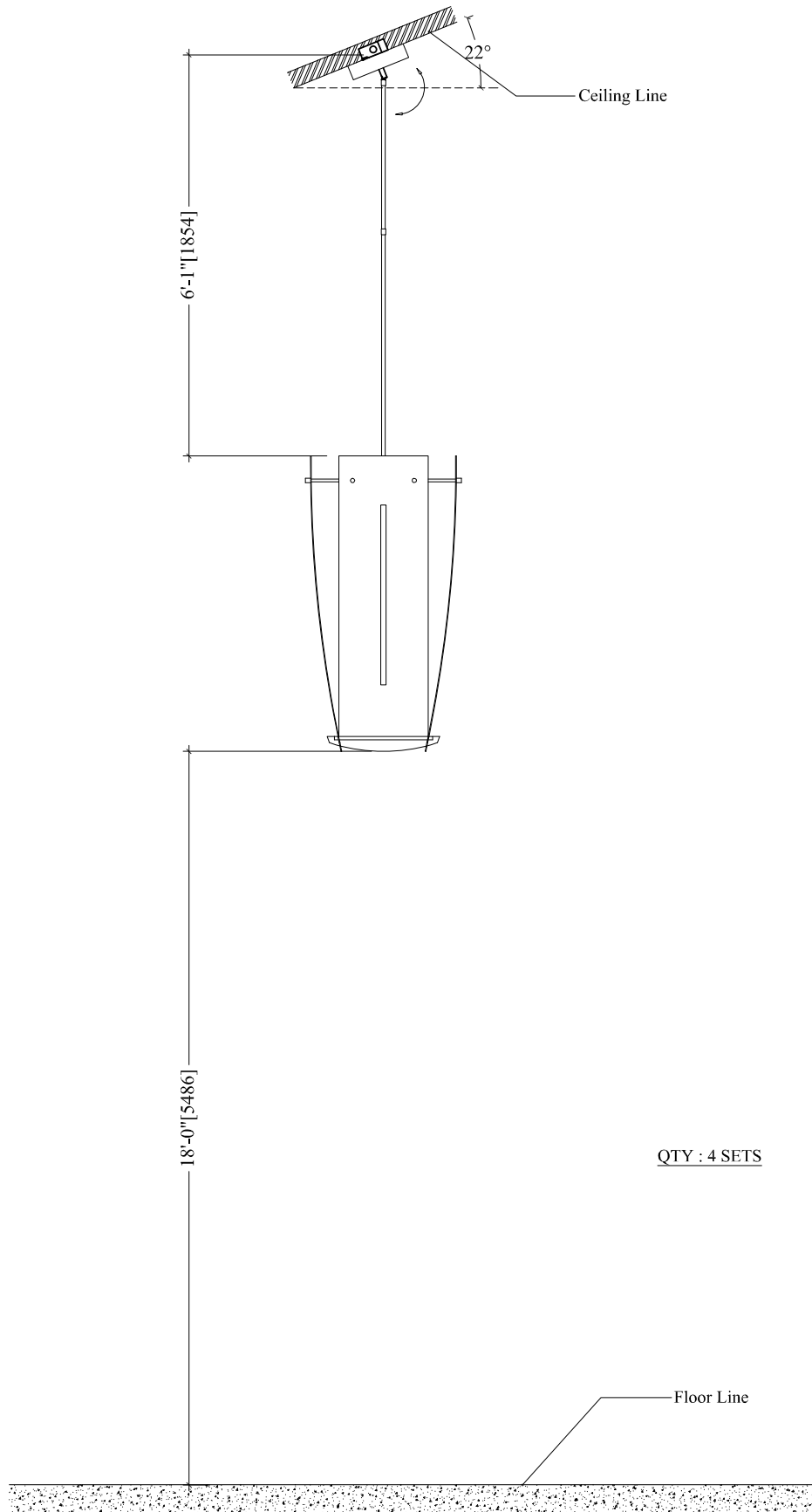
PROJECT:	Christ Church, Vero Beach, FL
ITEM:	Pendant
ALL MATERIALS, COMPONENTS AND WORKMANSHIP SHOULD BE IN ACCORDANCE WITH UL, ETL, N.E.C. AND LOCAL BUILDING AND LIFE SAFETY CODE AGENCIES STANDARDS	

DRAWING NUMBER:		DATE:		DWG BY:	
BDL-DC-1925(TYPE M-2)		2016.06.06		G	
FINISHES		REV.	DATE	CHCKD BY:	
FITTING	Paint Pewter - Custom	A	2016.07.29	SCALE	NTS
SHADE	Opal White Acrylic	B	2016.09.05	UNITS	in
DIFFUSR	-	C	2016.10.27	SIZE	LETTER
ACCENT	-	D	-	SHEET	1 OF 1
ACCENT	-	E	-	TOLERANCE	
ACCENT	-	F	-	LINEAR	±.000(0.009176)
				ANGULAR	±0.5°

REV.	DATE	SCALE	NTS
		UNITS	in
		SIZE	LETTER
		SHEET	1 OF 1
		TOLERANCE	
		LINEAR	±.000(0.009176)
		ANGULAR	±0.5°



BETTER DESIGNED LIGHTING



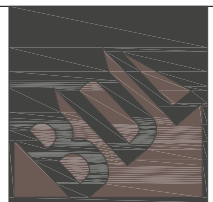
QTY : 4 SETS

OAD	16-1/4" W x 39" H
WEIGHT	30Lbs
MOUNTING	N/A
VOLTAGE	120V
WATTAGE	8x8W LED
BALLAST TYPE 1	n/a
BALLAST TYPE 2	n/a
BULB TYPE 1	LED base
BULB TYPE 2	n/a
BULB TYPE 3	n/a

PROJECT:	Christ Church, Vero Beach, FL
ITEM:	Pendant
ALL MATERIALS, COMPONENTS AND WORKMANSHIP SHOULD BE IN ACCORDANCE WITH UL, ETL, N.E.C. AND LOCAL BUILDING AND LIFE SAFETY CODE AGENCIES STANDARDS	

DRAWING NUMBER:		DATE:		DWG BY:	
BDL-DC-1925(TYPE M-2)		2016.06.06		G	
FINISHES		REV.	DATE	CHCKD BY:	
FITTING	Paint Pewter - Custom	A	2016.07.29	SCALE	NTS
SHADE	Opal White Acrylic	B	2016.09.05	UNITS	in
DIFFUSR	-	C	2016.10.27	SIZE	LETTER
ACCENT	-	D	-	SHEET	1 OF 1
ACCENT	-	E	-	TOLERANCE	
ACCENT	-	F	-	LINEAR	±.001(0.0997%)
				ANGULAR	±0.5°

REV.	DATE	SCALE	NTS
		UNITS	in
		SIZE	LETTER
		SHEET	1 OF 1
		TOLERANCE	
		LINEAR	±.001(0.0997%)
		ANGULAR	±0.5°



BETTER DESIGNED LIGHTING