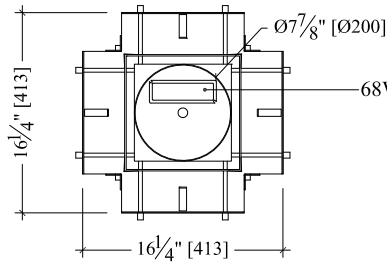
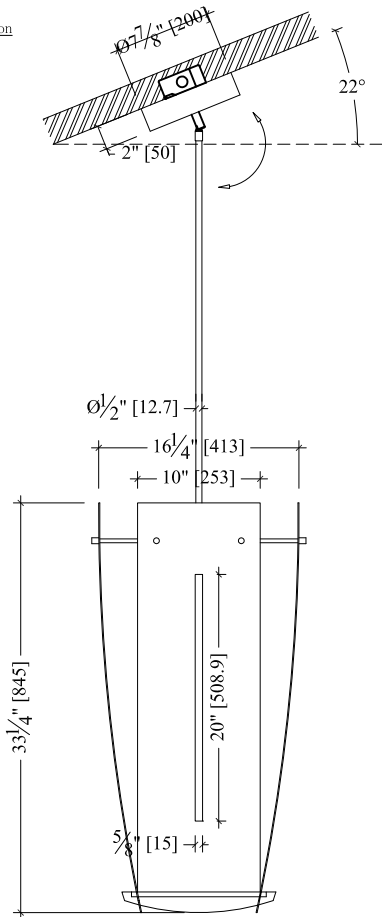


01 Top View

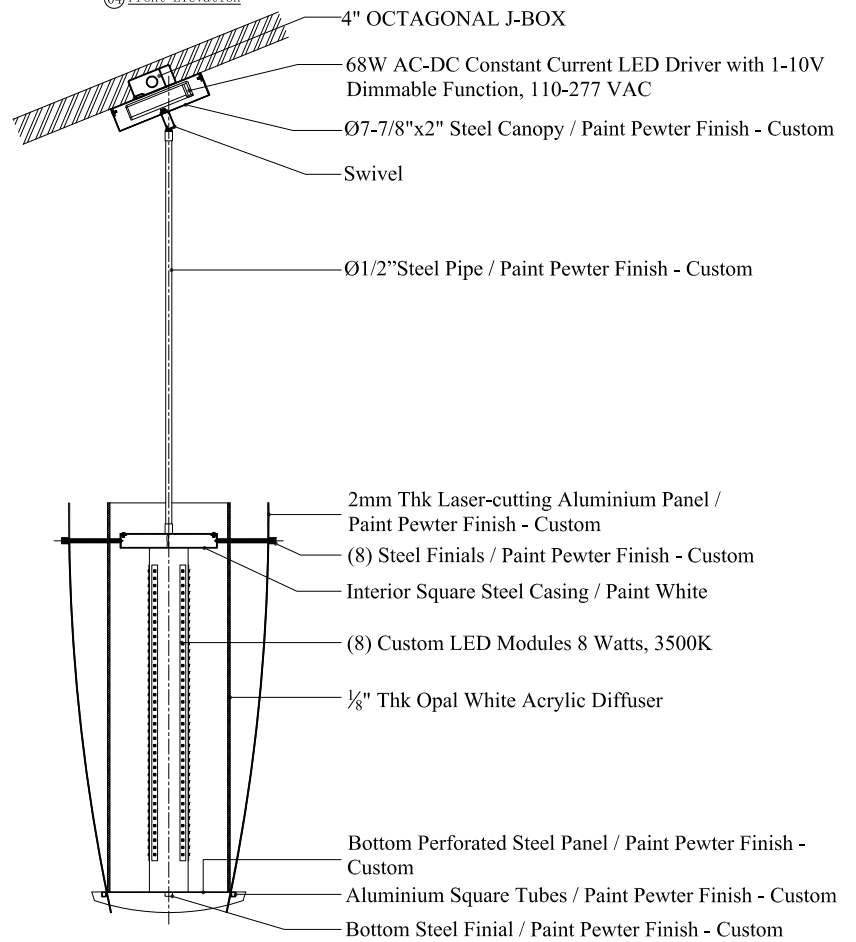


68W AC-DC Constant Current LED Driver with 1-10V Dimmable Function, 110-277 VAC

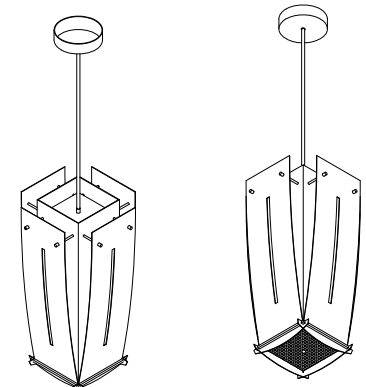
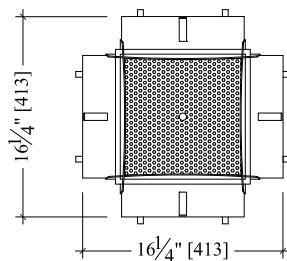
02 Front Elevation



04 Front Elevation



03 Bottom View



05 Axis view

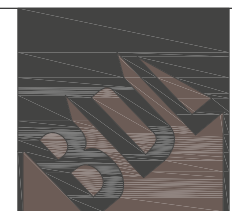
OAD	16-1/4"W x 33.25"H
WEIGHT	20Lbs
MOUNTING	N/A
VOLTAGE	120V
WATTAGE	8x8W LED
BALLAST TYPE 1	n/a
BALLAST TYPE 2	n/a
BULB TYPE 1	LED base
BULB TYPE 2	n/a
BULB TYPE 3	n/a

PROJECT:	Christ Church, Vero Beach, FL
ITEM:	Pendant
ALL MATERIALS, COMPONENTS AND WORKMANSHIP SHOULD BE IN ACCORDANCE WITH UL, ETL, N.E.C. AND LOCAL BUILDING AND LIFE SAFETY CODE AGENCIES STANDARDS	

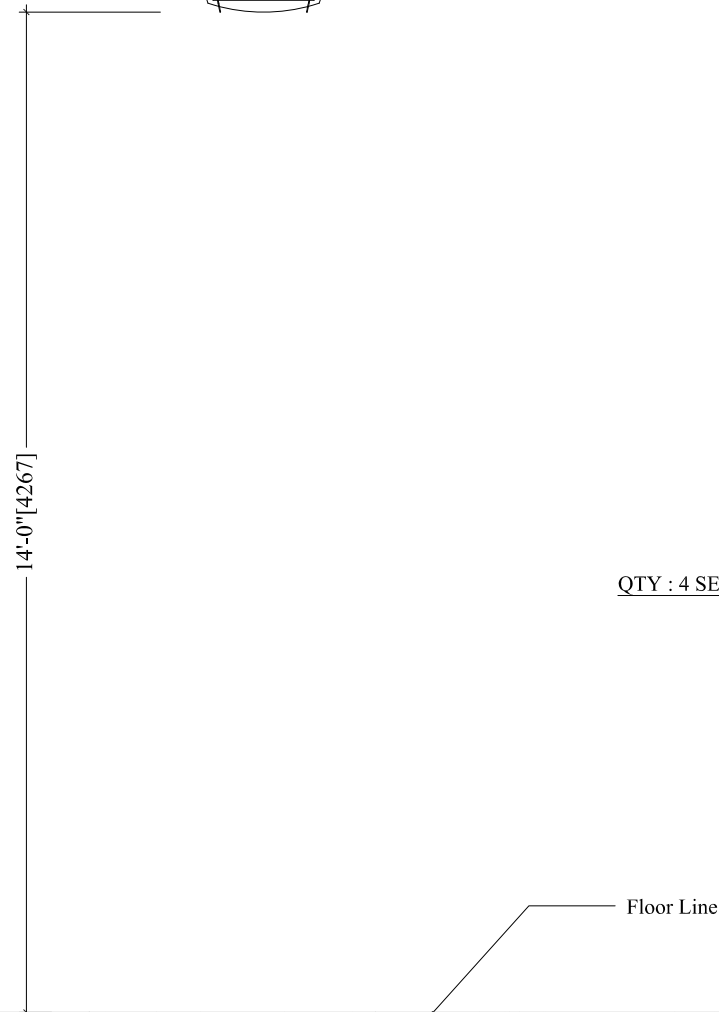
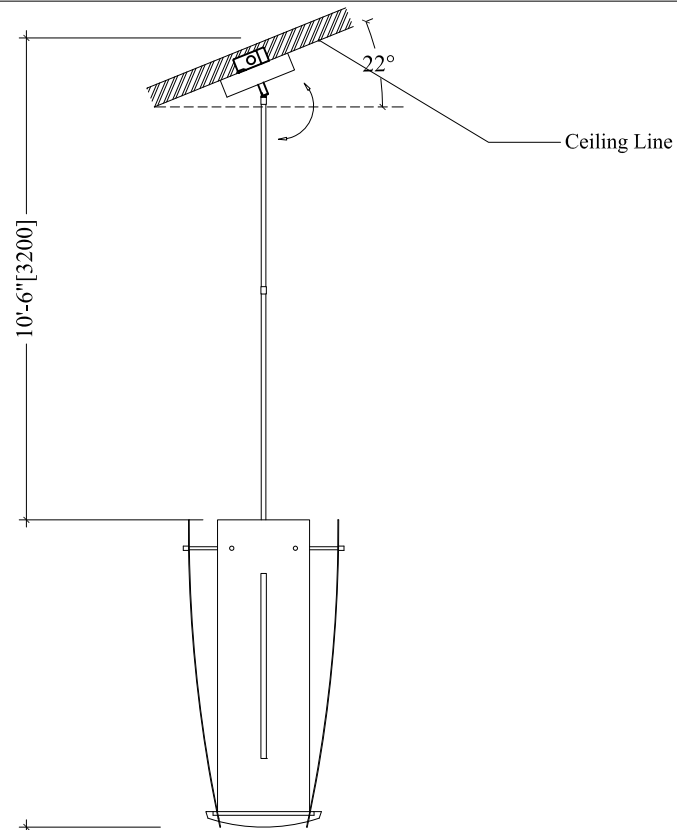
DRAWING NUMBER:	BDL-DC-1625(TYPE M-1)
FINISHES	
FITTING	Paint Pewter - Custom
SHADE	Opal White Acrylic
DIFFUSR	-
ACCENT	-
ACCENT	-
ACCENT	-

DATE:	2016.06.06
REV.	DATE
A	2016.09.05
B	2016.10.27
C	-
D	-
E	-
F	-

DWG BY:	G
CHKD BY:	
SCALE	NTS
UNITS	in
SIZE	LETTER
SHEET	1 OF 1
TOLERANCE	
LINEAR	±1mm(0.0393in)
ANGULAR	±0.5°



BETTER DESIGNED LIGHTING



QTY : 4 SETS

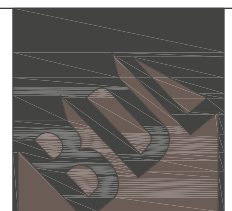
OAD	16-1/4"W x 33.25"H
WEIGHT	20Lbs
MOUNTING	N/A
VOLTAGE	120V
WATTAGE	8x8W LED
BALLAST TYPE 1	n/a
BALLAST TYPE 2	n/a
BULB TYPE 1	LED base
BULB TYPE 2	n/a
BULB TYPE 3	n/a

PROJECT:	Christ Church, Vero Beach, FL
ITEM:	Pendant
ALL MATERIALS, COMPONENTS AND WORKMANSHIP SHOULD BE IN ACCORDANCE WITH UL, ETL, N.E.C. AND LOCAL BUILDING AND LIFE SAFETY CODE AGENCIES STANDARDS	

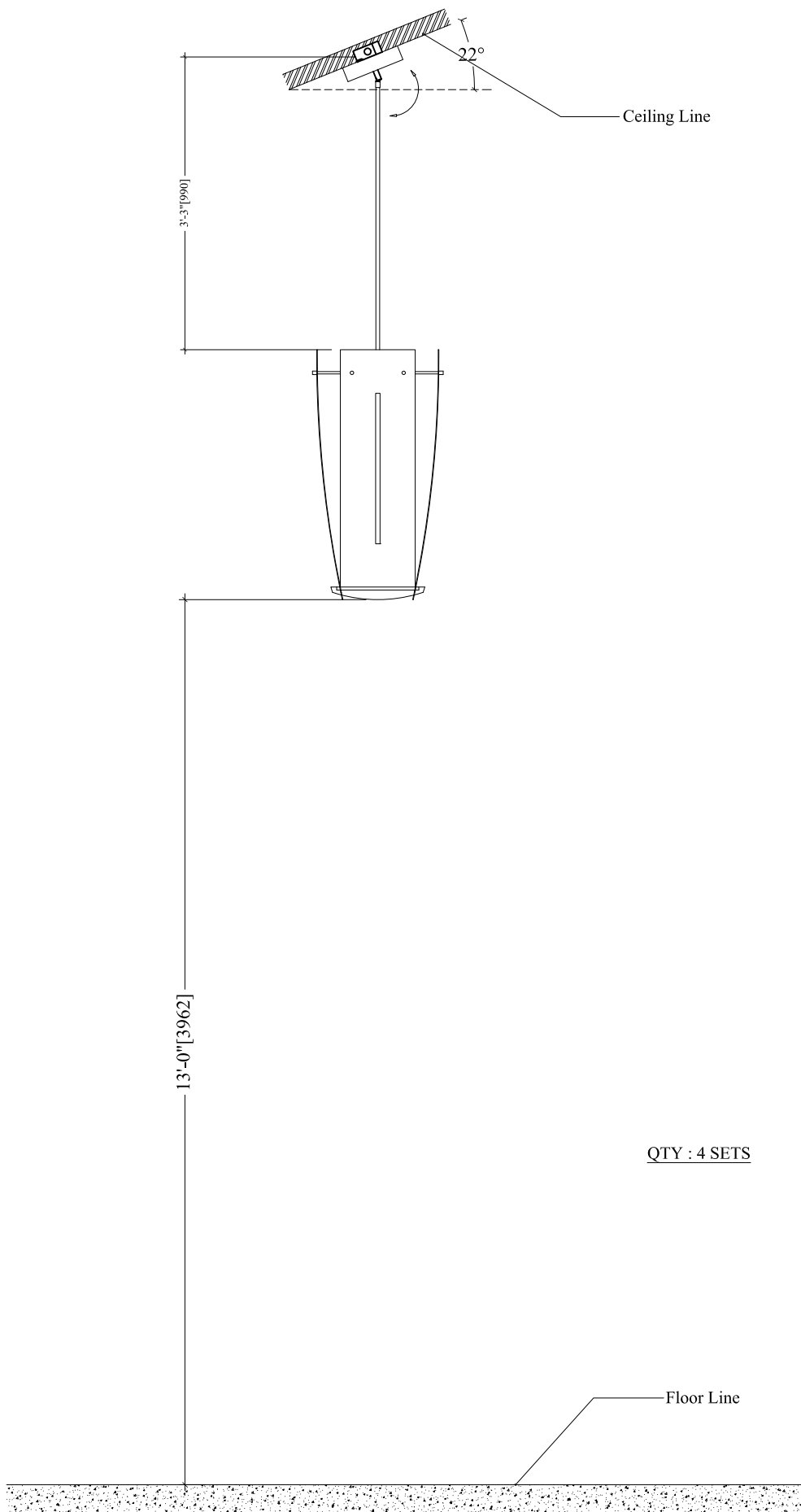
DRAWING NUMBER:	BDL-DC-1625(TYPE M-1)	
FINISHES		
FITTING	Paint Pewter - Custom	A
SHADE	Opal White Acrylic	B
DIFFUSR	-	C
ACCENT	-	D
ACCENT	-	E
ACCENT	-	F

DATE:	2016.06.06	
REV.	DATE	
A	2016.07.29	
B	2016.10.27	
C	-	
D	-	
E	-	
F	-	

DWG BY:	G	
CHKD BY:		
SCALE	NTS	
UNITS	in	
SIZE	LETTER	
SHEET	1 OF 1	
TOLERANCE		
LINEAR	±1mm(0.0393in)	
ANGULAR	±0.5°	



BETTER DESIGNED LIGHTING



QTY : 4 SETS

OAD	16-1/4"W x 33.25"H
WEIGHT	20Lbs
MOUNTING	N/A
VOLTAGE	120V
WATTAGE	8x8W LED
BALLAST TYPE 1	n/a
BALLAST TYPE 2	n/a
BULB TYPE 1	LED base
BULB TYPE 2	n/a
BULB TYPE 3	n/a

PROJECT:
Christ Church, Vero Beach, FL

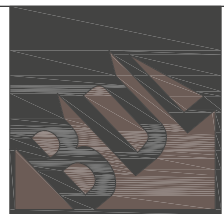
ITEM:
Pendant

ALL MATERIALS, COMPONENTS AND WORKMANSHIP SHOULD BE IN ACCORDANCE WITH UL, ETL, N.E.C. AND LOCAL BUILDING AND LIFE SAFETY CODE AGENCIES STANDARDS

DRAWING NUMBER: BDL-DC-1625(TYPE M-1)	
FINISHES	
FITTING	Paint Pewter - Custom
SHADE	Opal White Acrylic
DIFFUSR	-
ACCENT	-
ACCENT	-
ACCENT	-

DATE: 2016.06.06	
REV.	DATE
A	2016.07.29
B	2016.09.05
C	2016.10.27
D	-
E	-
F	-

DWG BY: G	
CHKD BY:	
SCALE	NTS
UNITS	in
SIZE	LETTER
SHEET	1 OF 1
TOLERANCE	
LINEAR	$\pm 1\text{mm}(0.0393\text{in})$
ANGULAR	$\pm 0.5^\circ$



BETTER DESIGNED LIGHTING